

HOOKS

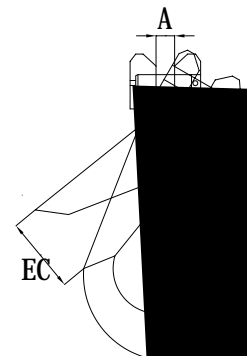
With Product Warning And Application Information

G80 HOOKS



KLR-001

								KG
			A	B	C	D	E	
KLR-001-6	6-8	1.12	22	110	10	19.5	28	0.5
KLR-001-8	8-8	2	25	136	12	24	34	0.8
KLR-001-10	10-8	3.15	32	171	15	28.5	44	1.55
KLR-001-13	13-8	5.3	40.5	208	19.5	40	52	3.2
KLR-001-16	16-8	8	56	257	22	50.5	60	5.75
KLR-001-20	20-8	12.5	64.5	275	27	55	81	8.5
KLR-001-22	22-8	15	70	320	30	67	82	13
KLR-001-26	26-8	21.2	80	363	34	75	110	18
KLR-001-32	32-8	31.5	105	472	45	97	168	44.5

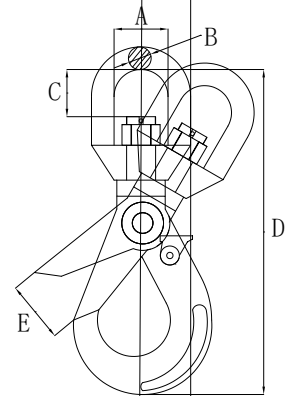


KLR-002 G80 EUROPEAN TYPE CLEVIS SELF-LOCKING HOOK

			A	B	C	E
KLR-002-6	6-8	1.12	8.5	95.5	19.5	29
KLR-002-8	8-8	2	9.5	121	24	34
KLR-002-10	10-8	3.15	12	146	28.5	44
KLR-002-13	13-8	5.3	15	182	40	52
KLR-002-16	16-8	8	18	218	50.5	60
KLR-002-20	20-8	12.5	25	240	55	83
KLR-002-22	22-8	15	25.5	276.5	67	88
KLR-002-26	26-8	21.2	30	310.5	75	95.5
KLR-002-32	32-8	31.5	35.5	400.5	97	160

Never exceed Working Load Limit

G80 HOOKS



KLR-003 G80 EUROPEAN TYPE SWIVEL SELF-LOCKING HOOK

								KG
			A	B	C	D	E	
KLR-003-6		1. 12	32. 5	11. 25	22	170	29	0. 71
KLR-003-8		2	35. 5	12. 5	26	210	34	1. 1
KLR-003-10		3. 15	42	15	34	247	44	2. 0
KLR-003-13		5. 3	50	16	38. 5	302	52	4. 0
KLR-003-16		8	61	21. 5	55	383	60	7. 3
KLR-003-20		12. 5	72	26	61	418	83	11. 6
KLR-003-22		15	95	33	95	527	88	16. 0
KLR-003-26		21. 2	122	42	115	610	95. 5	21. 5
KLR-003-32		31. 5	140	52	146	777	150	79

KLR-004 G80 SWIVEL SELF-LOCKING HOOK

								KG
			A	B	C	D	E	
KLR-004-6	6-8	1. 12	32. 5	11. 5	34. 8	163. 5	194. 5	0. 71
KLR-004-8	8-8	2	36	13	40	195	232	1. 1
KLR-004-10	10-8	3. 15	42	15. 5	48	237	280. 5	2. 0
KLR-004-13	13-8	5. 3	50	17	58	282	340	4. 0
KLR-004-16	16-8	8	61	21. 5	61	341. 5	413. 5	7. 3
KLR-004-20	20-8	12. 5	76	26. 5	75. 5	399. 5	481	11. 6
KLR-004-22	22-8	15	97	33	97	461	561	16. 0
KLR-004-26	26-8	21. 2	123	42	115	536. 5	653. 5	21. 5

Never exceed Working Load Limit

G80 HOOKS



KLR-005 G80 EUROPEAN TYPE EYE SLING HOOK WITH LATCH

							KG
			A	B	C	E	
KLR-005-6	6-8	1.12	9	20	108	24	0.3
KLR-005-8	8-8	2	11	25	133	30	0.4
KLR-005-10	10-8	3.15	15	38	167	34	0.9
KLR-005-13	13-8	5.3	19	43	213	39	1.7
KLR-005-16	16-8	8	23	50	255	46	3.2
KLR-005-20	20-8	12.5	24	62	305	50	5.8
KLR-005-22	22-8	15	32	62	348	71	8.5
KLR-005-26	26-8	21.2	35	64	394	81	13
KLR-005-32	32-8	31.5	37	88	480	102	17



KLR-006 G80 EUROPEAN TYPE CLEVIS SLING HOOK WITH LATCH

								KG
			A	B	C	D	E	
KLR-006-6	6-8	1.12	8	32	76	23	26	0.32
KLR-006-8	8-8	2	9.5	37	85.5	32.5	29	0.48
KLR-006-10	10-8	3.15	13	49	104	35	39	0.95
KLR-006-13	13-8	5.3	16.5	56.5	128	42.5	47	1.8
KLR-006-16	16-8	8	21.5	70.5	150	54	55	3.4
KLR-006-20	20-8	12.5	24	77	180	58	61	6.0
KLR-006-22	22-8	15	27	91	213	62	72	10.4
KLR-006-26	26-8	21.2	30	117	250	75	84	14.5
KLR-006-32	32-8	31.5	35	150	317	88	105	27.0

Never exceed Working Load Limit

G80 HOOKS



A

E

C

B

Never exceed Working Load Limit

G80 HOOKS



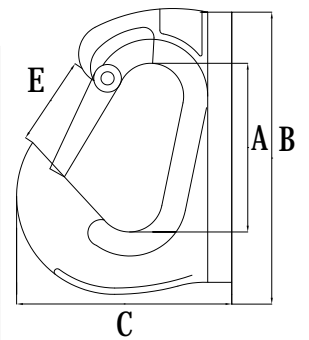
Never exceed Working Load Limit

G80 HOOKS



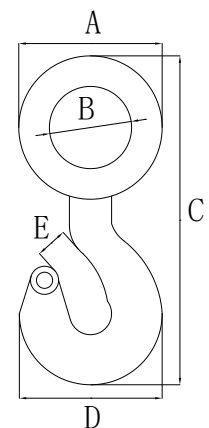
KLR-011 G80 C WELDED HOOK

						KG
		A	B	C	E	
KLR-011-1	1	67	98	78	23.5	0.52
KLR-011-2	2	67	114	92	30	0.83
KLR-011-3	3	73.5	129	106	33.2	1.2
KLR-011-5	5	94	171	133	39	2.46
KLR-011-8	8	94	177	136.5	35	3.26
KLR-011-10	10	134.5	223	169.5	51	5.17



KLR-012 G80 EYE CHOKER HOOK

								KG
			A	B	C	D	E	
KLR-012-8	8-8	2	52	30.5	123	53.5	16	0.36
KLR-012-10	10-8	3.15	68	39	156	67.5	20	0.72
KLR-012-13	13-8	5.3	85	52	195	83	26	1.4
KLR-012-16	16-8	8	108	64	246	107	30	3.17
KLR-012-18	18-8	10	120.5	74.5	268.5	119	33.5	3.8
KLR-012-20	20-8	12.5	132	80	302	131	40	6.5
KLR-012-22	22-8	15	146	82	367	147	52	8.9

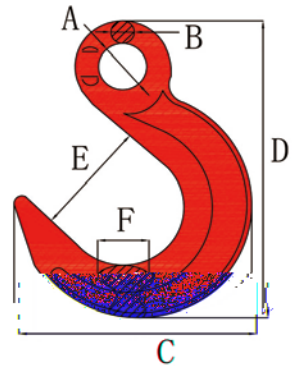


Never exceed Working Load Limit

G80 HOOKS

								KG
			A	B	C	D	E	
KLR-013-1.6	3/8-1/2	1.6	50	132	71	17	21	0.68
KLR-013-2	5/8	2	63.5	151.5	79	22	23	1.21
KLR-013-3	3/4	3	69	170	103	28	29	1.99
KLR-013-5	1	5	85.7	213	135	32.5	38	4.18

									KG
			A	B	C	D	E	F	
KLR-089-6	6-8	1.12	20.5	10	100	133	49	17	0.382
KLR-089-8	8-8	2	24	12	130	158.5	62	19	0.72
KLR-089-10	10-8	3.15	31.5	15	152.5	199	73	25	1.25
KLR-089-13	13-8	5.3	44	19	186	241.5	90	33	2.32
KLR-089-16	16-8	8	49	22	218	279	105	37	3.45
KLR-089-20	20-8	12.5	60	26	252	330	114	46	6.42



								KG
			A	B	C	D	E	
KLR-090-8	8-8	2	9.5	37	128	161	63.4	1.1
KLR-090-10	10-8	3.15	13	39	156			

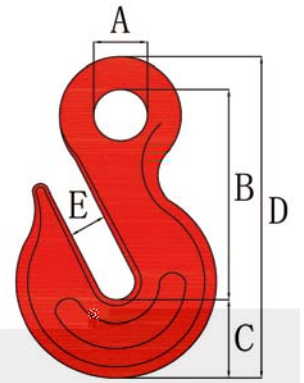
									KG
			A	B	C	D	E	F	
KLR-020-8	8-8	2	36	42	170	208	28.5	88	0.95
KLR-020-10	10-8	3.15	42	50	204.8	251.7	31	105	1.71
KLR-020-13	13-8	5.3	50	58	242	296	40	135	2.97
KLR-020-16	16-8	8	61	63.5	291.8	360.8	45	161	5.3

Never exceed Working Load Limit

G80 HOOKS

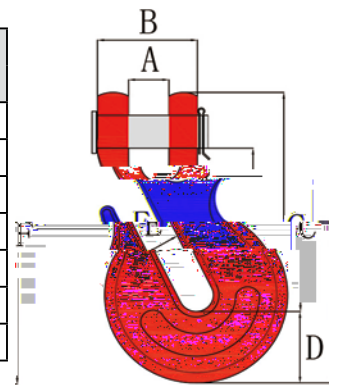
KLR-081 G80 EYE GRAB HOOK

							KG
		A	B	C	D	E	
KLR-081-1/4	1.2	13	54	19	81	8	0.13
KLR-081-9/32	2	15	64	23	98	9.5	0.27
KLR-081-3/8	3.2	20	82	30	125	12.5	0.55
KLR-081-1/2	5.4	25	106	42	165	17	1.3
KLR-081-5/8	8.2	30	127	49	196.5	20	2.48
KLR-081-3/4	12.8	34.5	152	56	231.6	23	3.8
KLR-081-7/8	15.5	40.5	175	65.6	267.6	28.6	5.8



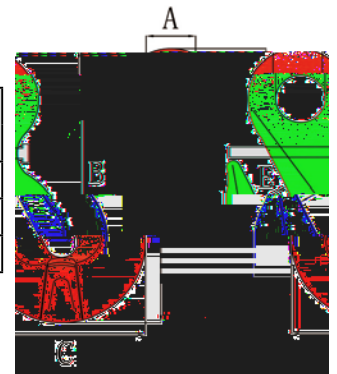
KLR-082 G80 CLEVIS GRAB HOOK

								KG
		A	B	C	D	E	F	
KLR-082-1/4	1.2	8	34	57	19.5	8	90.5	0.22
KLR-082-9/32	2	9.5	41	65.3	23	9.5	106.5	0.31
KLR-082-3/8	3.2	12.7	46	82	31	12.5	137	0.7
KLR-082-1/2	5.4	16	61	113	43	16.7	184.5	1.8
KLR-082-5/8	8.2	19.5	68.5	129.5	49	20	215	3.1
KLR-082-3/4	12.8	24	88	152	58	24	254	4.1
KLR-082-7/8	15.5	27	96	178	64.8	26	295	6.2



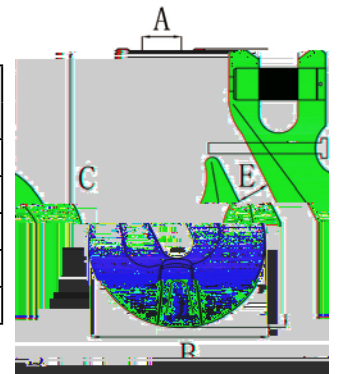
KLR-083 G80 EYE SHORTENING GRAB HOOK

							KG
			A	B	C	E	
KLR-083-8	8-8	2	17	88.5	50	11	0.29
KLR-083-10	10-8	3.15	20	121.5	71	13	0.75
KLR-083-13	13-8	5.3	26	158	96	16.5	1.62



KLR-084 G80 CLEVIS SHORTENING GRAB HOOK

							KG
			A	B	C	E	
KLR-084-6	6-8	1.12	8	43.5	75	8	0.28
KLR-084-8	8-8	2	9.5	49.5	89	11	0.33
KLR-084-10	10-8	3.15	12.5	70.5	126.5	13.2	0.88
KLR-084-13	13-8	5.3	15	90	163.5	16.5	1.85
KLR-084-16	16-8	8	19.5	112.5	183.5	19.2	3.24

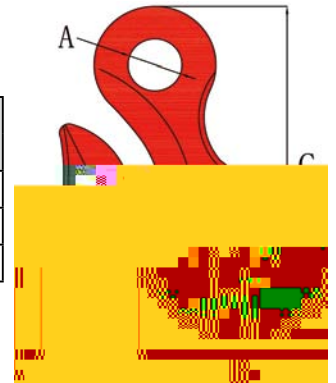


Never exceed Working Load Limit

G80 HOOKS

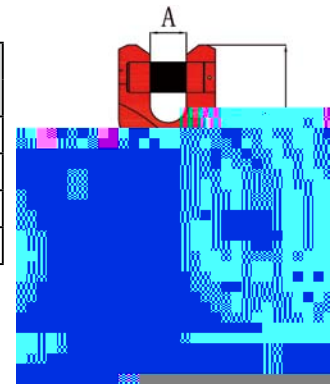
KLR-087 G80 DEEP THROAT EYE GRAB HOOK

							KG
			A	B	C	E	
KLR-087-6	6-8	1.12	15	45	83	7	0.16
KLR-087-8	8-8	2	16	52	106.5	9.6	0.35
KLR-087-10	10-8	3.15	21	66	124.5	13	0.75



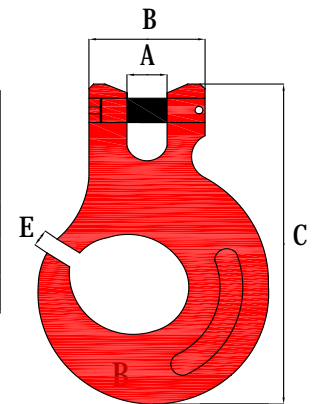
KLR-088 G80 DEEP THROAT CLEVIS GRAB HOOK

							KG
			A	B	C	E	
KLR-088-6	6-8	1.12	7.5	45	85	7.5	0.19
KLR-088-8	8-8	2	9	57	106	10	0.35
KLR-088-10	10-8	3.15	12.5	74	127	13	0.75
KLR-088-13	13-8	5.3	15	89	165.5	15.5	1.63



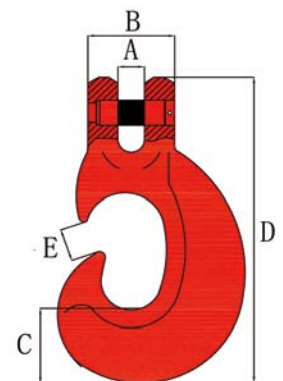
KLR-016 G80 CLEVIS FOREST HOOK

							KG
			A	B	C	E	
KLR-016-6	6-8	1.12	8.5	31	83	8.5	0.35
KLR-016-8	8-8	2	9.5	35	95.5	10.5	0.41
KLR-016-10	10-8	3.15	13	44	137	13	0.92
KLR-016-13	13-8	5.3	16	53	165	16	1.75



KLR-055 G80 CLEVIS HOOK

								KG
			A	B	C	D	E	
KLR-091-8	8-8	2	9.5	35	28	136	20	0.57
KLR-091-10	10-8	3.15	13	46	39.5	189	29.5	1.4
KLR-091-13	13-8	5.3	16.5	59	52	246	39.5	3.0
KLR-091-16	16-8	8	18.5	72	59	298	46.5	5.4

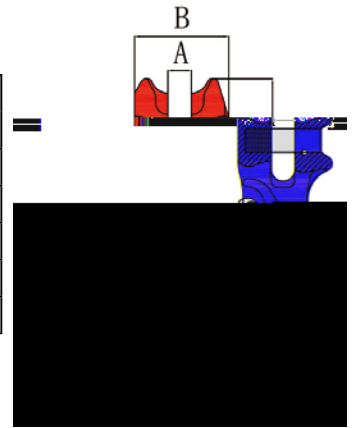


Never exceed Working Load Limit

G80 HOOKS

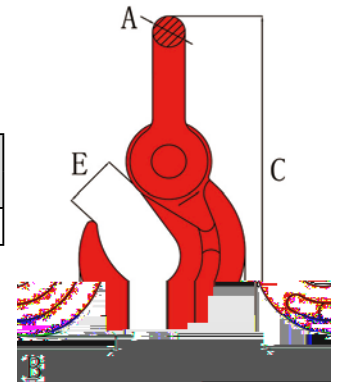
KLR-092 G80 CLEVIS CHAIN CLUTCH HOOK

								KG
			A	B	C	D	E	
KLR-092-6	6-8	1.12	8	40	66	136.5	20	0.48
KLR-092-8	8-8	2	9.5	45	84	172.5	27	0.89
KLR-092-10	10-8	3.15	12	56.5	103	215	33	1.73
KLR-092-13	13-8	5.3	15	75	133.5	258	40	3.39
KLR-092-16	16-8	8	18.5	82	156.5	305	44	5.57



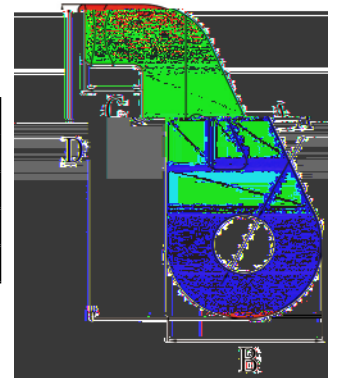
KLR-047 G80 TRACTOR HOOK

						KG
		A	B	C	E	
KLR-047-8.5	8.5	30	145.5	270.5	40	5.45



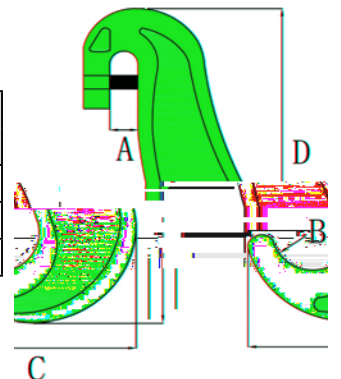
KLR-043 G80 CONTAINER HOOK RIGHI TYPE

							KG
			A	B	C	D	
KLR-043-12.5		12.5	68	120.4	45	254.2	4.33
KLR-043-12.5		12.5	68	120.4	45	254.2	4.33
KLR-043-12.5		12.5	68	120.4	45	254.2	4.33



KLR-056 G80 LASHING TYPE C HOOK

							KG
			A	B	C	D	
KLR-056-9	9mm	2.5	13.5	18.5	90.5	143	0.5
KLR-056-11	11mm	3.75	15.5	22	109.5	177	0.85
KLR-056-13	13mm	5.4	17.5	25.5	129	205	1.38



Never exceed Working Load Limit

HOOKS

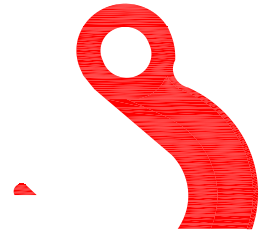
							KG
		A	B	C	D	E	
KLR-017-1	1	19	82	19	110	22	0.28
KLR-017-2	2	28	103	26	140.5	24	0.65
KLR-017-3	3	31	119	28	162	27.5	0.94
KLR-017-5	5	39	146	37	201	33	1.95
KLR-017-7	7	51	186.5	46.5	256	40	3.77
KLR-017-11	11	62	231.5	57	317	51	6.8
KLR-017-15	15	73	261	67	360	57	9.8
KLR-017-22	22	89	318	76	434	75	16.5
KLR-017-30	30	90	360	92	495.5	98	29.2
KLR-017-50	50	120	520	142	727	148.5	88

							KG
		A	B	C	D	E	
KLR-018-0.5	0.5	16.5	72	17	97	19	0.21
KLR-018-1	1	23	93.5	21	125	23	0.4
KLR-018-2	2	31	119	28	162	27.5	0.94
KLR-018-3	3	39	146	37	201	33	1.95
KLR-018-5	5	51	186.5	46.5	256	40	3.77
KLR-018-8	8	58	231.5	57	315	51	6.5

--	--	--	--

Never exceed Working Load Limit

HOOKS

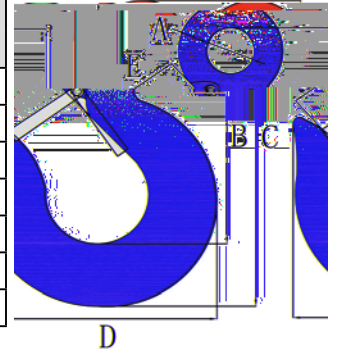


Never exceed Working Load Limit

HOOKS

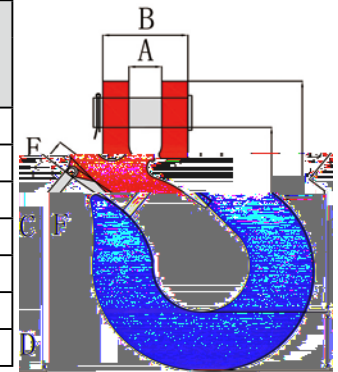
KLR-021 EYE SLIP HOOK WITH LATCH

	IBS						IBS
		A	B	C	D	E	
KLR-021-1/4	2750	12.7	65	92	68.5	23	0.40
KLR-021-5/16	4300	16	72.5	106	76	26	0.62
KLR-021-3/8	5250	18	86.5	124	89.5	33	1.11
KLR-021-7/16	7000	20.5	98.5	142	108	40	1.56
KLR-021-1/2	9000	23	109.5	156	116.5	43	2.10
KLR-021-5/8	13500	28.8	132.5	195	143	52	3.90
KLR-021-3/4	19250	35	147.5	222	169	55	6.93



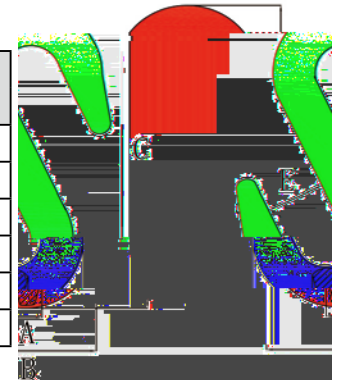
KLR-022 CLEVIS SLIP HOOK WITH LATCH

	IBS							IBS
		A	B	C	D	E	F	
KLR-022-1/4	2750	11	27	66	22	21.5	103.5	0.55
KLR-022-5/16	4300	13	33	73	26	25.5	117	0.82
KLR-022-3/8	5250	15	39	84.5	29.5	33.5	134	1.26
KLR-022-7/16	7000	16	44	93	34.5	36	151.5	2.25
KLR-022-1/2	9000	19	48	100	43	37.5	168	3.06
KLR-022-5/8	13500	18.5	58.7	125	46	46.5	200.5	5.18
KLR-022-3/4	19250	30.5	81	156.5	60	58	257	12.4



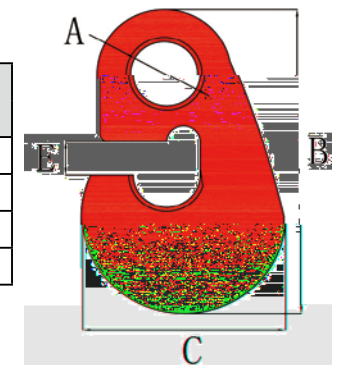
KLR-023 " S " HOOK

						KG
		A	B	C	E	
KLR-023-1	1	26	77	166	23.8	1.2
KLR-023-2	2	28	84	175	26	1.5
KLR-023-3	3	30	90	188	30	2
KLR-023-5	5	38	120	238	38	4.5
KLR-023-8	8	50	160	305	55	8.8
KLR-023-10	10	53	181	361	70	12



KLR-024 " G " TYPE HOOK

						KG
		A	B	C	E	
KLR-024-1	1	17	91	57	11.5	0.33
KLR-024-1.5	1.5	20	107	66	13	0.6
KLR-024-3.2	3.2	26	123	77	15	0.9
KLR-024-5.6	5.6	38	180	115	23	3.1

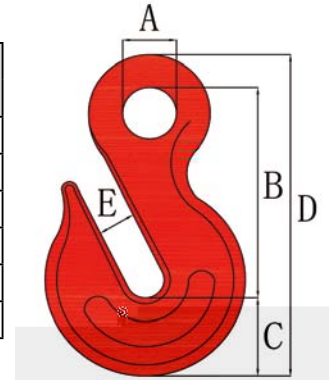


Never exceed Working Load Limit

HOOKS

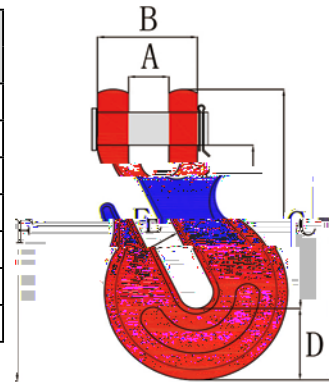
KLR-025 EYE GRAB HOOK

	IBS						IBS
		A	B	C	D	E	
KLR-025-1/4	3500	13	50.5	18.5	77	9	0.28
KLR-025-5/16	4700	14	56.8	22.7	89	11.5	0.45
KLR-025-3/8	7100	17	65.2	28.3	104	13	0.79
KLR-025-1/2	12000	22	85.5	37.5	135	17	1.75
KLR-025-5/8	15800	30	116	45	180	21	3.25
KLR-025-3/4	24700	35	133.5	55	211	25	5.95



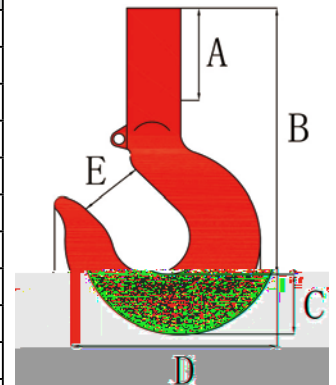
KLR-026 CLEVIS GRAB HOOK

	IBS							IBS
		A	B	C	D	E	F	
KLR-026-1/4	3500	8.5	25	44.7	19	9.2	78.5	0.36
KLR-026-5/16	4700	10	30.5	54.1	25	11.2	93	0.62
KLR-026-3/8	7100	13	35	67.2	28.3	12.7	114.5	1.00
KLR-026-7/16	8750	17	42	70	33.5	14.5	126	1.50
KLR-026-1/2	12000	19	47	81.6	38	17	144	2.22
KLR-026-5/8	15800	23	56	102.5	45	20	177	4.41
KLR-026-3/4	24700	24	66.5	118	54	24	207.5	6.50



KLR-027 STRAIGHT SHANK HOOK

		A	B	C	D	E
KLR-027-20	20	56	144	24	84.5	28
KLR-027-24	24	59	167	31.5	104	34
KLR-027-30	30	69	197	40.5	131	40
KLR-027-36	36	78	224	48	148.5	45
KLR-027-42	42	86	253	58.5	171.5	50
KLR-027-48	48	95	285	68	197	56
KLR-027-53	53	103	318	76	222	63
KLR-027-60	60	140	380	86	248	71
KLR-027-67	67	147	418	96	279	80
KLR-027-75	75	166	452	107	308	90
KLR-027-85	85	225	510	118	342	100
KLR-027-95	95	265	582	132	388	112

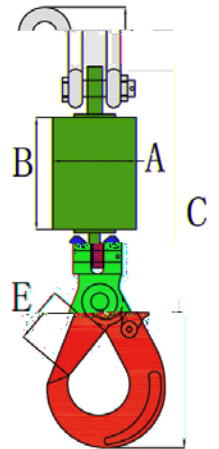


Never exceed Working Load Limit

HOOKS

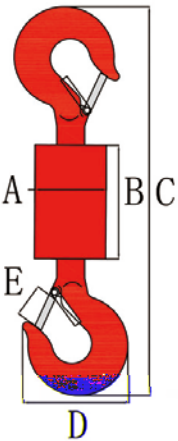
KLR-030 OIL SWIVEL HOOK

						KG
		A	B	C	E	
KLR-030-2	2	63	84	356	35	3.5
KLR-030-3	3	88	90	410	44	7.1
KLR-030-5	5	105	108	515	51	13.5
KLR-030-8	8	127	160	630	62	24.5



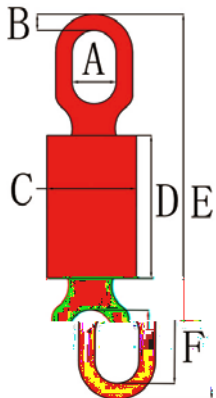
KLR-031 UNIVERSAL VERTICAL HOOK RING

		A	B	C	D	E	F	G
KLR-031-1	1	67	80	275	99.5	31	42	26
KLR-031-2	2	78	100	360	121.5	35	56	37
KLR-031-3	3	88	111	415	139	40	69	38
KLR-031-5	5	108	122	490	165.5	48	88	50
KLR-031-8	8	128	200	640	210	60	112	65
KLR-031-10	10	147	220	740	237	66	117	71



KLR-032 UNIVERSAL VERTICAL DOUBLE HOOKS

		A	B	C	D	E
KLR-032-1	1	67	80	300	99.5	31
KLR-032-2	2	78	100	390	121.5	35
KLR-032-3	3	88	111	451	139	40
KLR-032-5	5	108	122	492	165.5	48
KLR-032-8	8	128	200	710	210	60
KLR-032-10	10	147	220	760	237	66



KLR-033 UNIVERSAL VERTICAL HEAVY RING

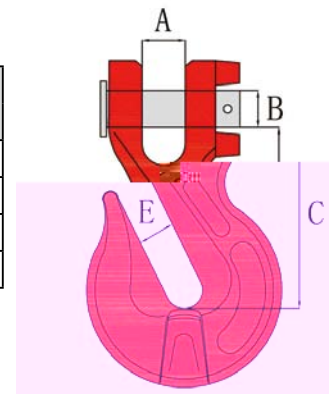
		A	B	C	D	E	F
KLR-033-1	1	26	15	67	80	250	42
KLR-033-2	2	37	19	78	100	310	56
KLR-033-3	3	38	25	88	111	401	69
KLR-033-5	5	50	31	108	122	472	88
KLR-033-8	8	65	34	128	200	610	112
KLR-033-10	10	71	42	147	220	710	117

Never exceed Working Load Limit

HOOKS

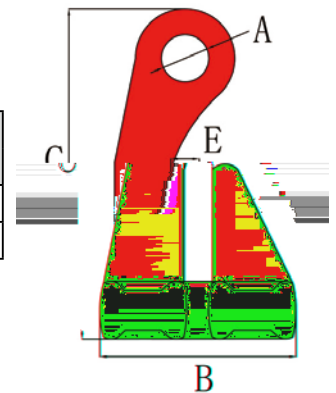
KLR-040 AUS. CLEVIS SHORTENING GRAB HOOK

						KG
		A	B	C	E	
KLR-040-1/4	1	8	7.9	45	8.8	0.20
KLR-040-5/16	2	10	9.6	49.6	10.5	0.36
KLR-040-3/8	3	13.5	11.8	65	13.0	0.60
KLR-040-1/2	5	17	16.0	83	17.0	1.09



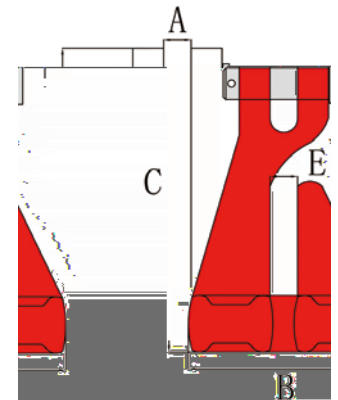
KLR-041 EYE BEND HOOK

						KG
		A	B	C	E	
KLR-041-5/16	4.54	12.5	58.1	77.9	10.2	0.37
KLR-041-3/8	16	21.7	67.2	120	12.8	0.63



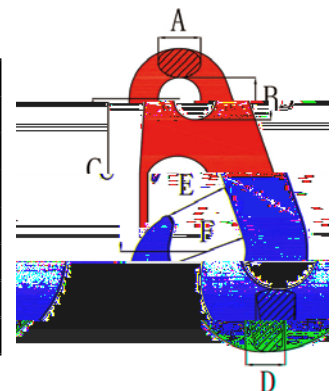
KLR-042 CLEVIS BEND HOOK

						KG
		A	B	C	E	
KLR-042-5/16	4.54	11	58	120.5	11.8	0.45



KLR-029 NASAL TYPE HOOK

							KG
		A	B	C	D	E	
KLR-029-1	1	16	17	80	20	25	1.3
KLR-029-2	2	18	24	90	24	32	2.1
KLR-029-3	3	22	31	102	28	40	2.7
KLR-029-5	5	33	38	140	38	62	3.5
KLR-029-8	8	38	46	168	46	70	5.9
KLR-029-10	10	42	50	188	50	80	11

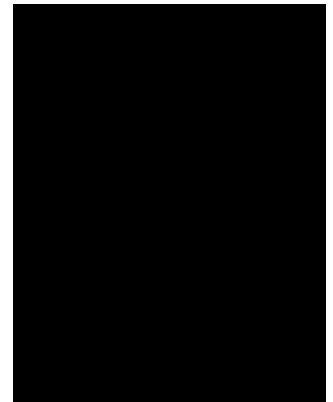


Never exceed Working Load Limit

HOOKS

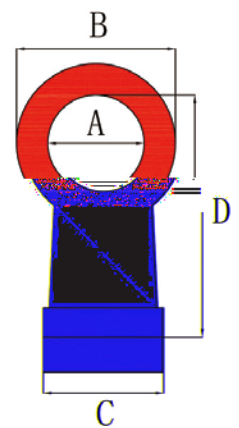
KLR-044 ALLOY SORTING HOOK

							KG
		A	B	C	D	E	
KLR-044-2	2	35	49	170	254	33	3.09



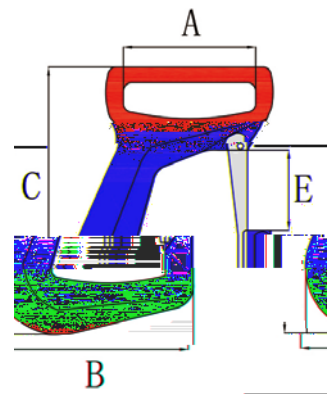
KLR-045 FORGED BARREL HOOK

						KG
		A	B	C	D	
KLR-045-1	1	38	71	60	118.5	0.7
KLR-045-2	2	40	66	50	128	0.55



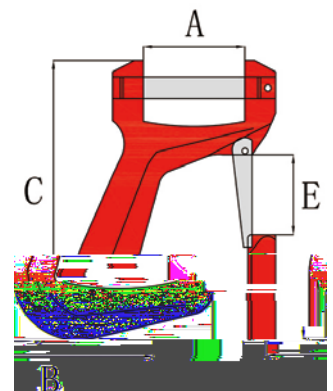
KLR-054 EYE WEBBING SLING HOOK

						KG
		A	B	C	E	
KLR-054-1.6	1.6	55	111	150	33	1.2



KLR-099 WEBBING SLING HOOK

						KG
		A	B	C	E	
KLR-099-2.2	2.2	61	120	167	47	1.48

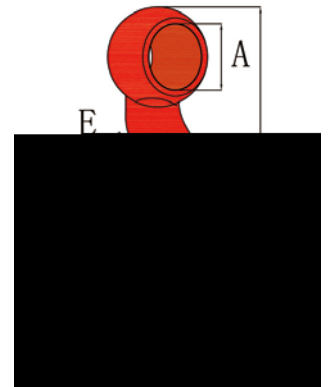


Never exceed Working Load Limit

HOOKS

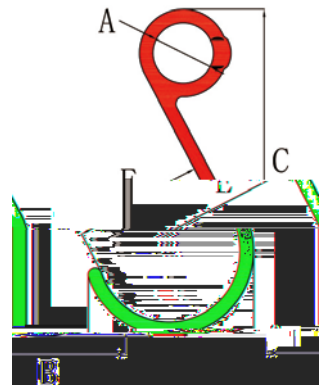
KLR-048 EYE TWIST HOOK

						KG
		A	B	C	E	
KLR-048-8	8	44.5	170	303	39	6.15



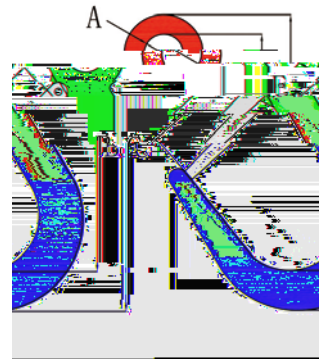
KLR-051 ALLOY LARGE OPENING HOOK

						KG
		A	B	C	E	
KLR-051-1.5	1.5	40	112	272	99	1.27



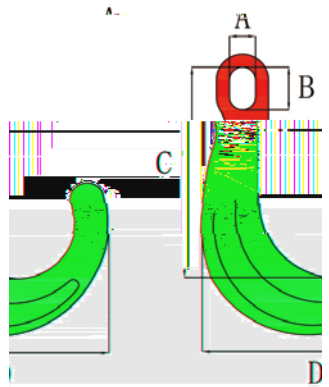
KLR-057 ALLOY EYE HOOK WITH LATCH

						KG
		A	B	C	E	
KLR-057-1.5	1.5	22.5	121.5	151	41.5	0.4



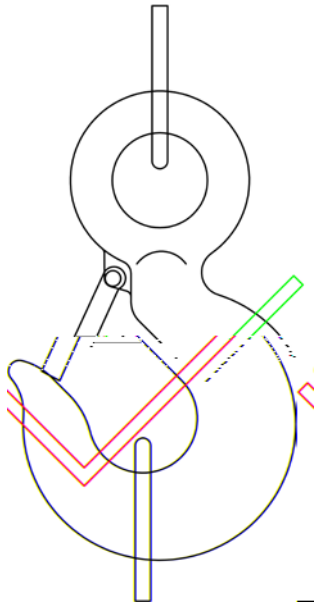
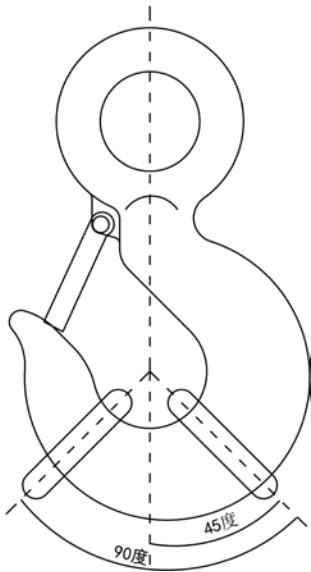
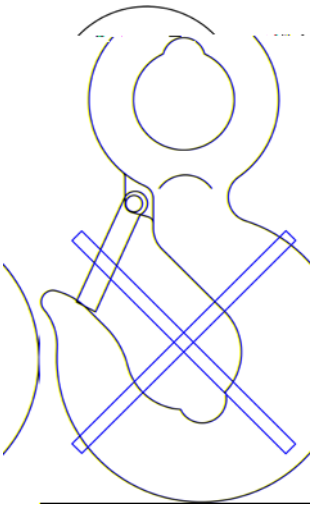
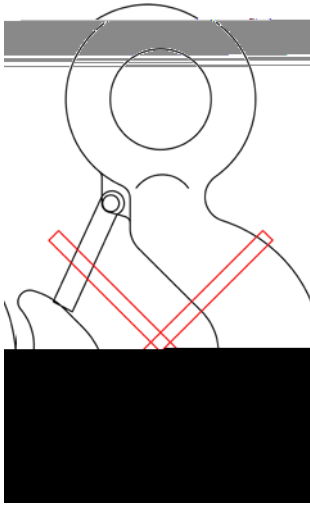
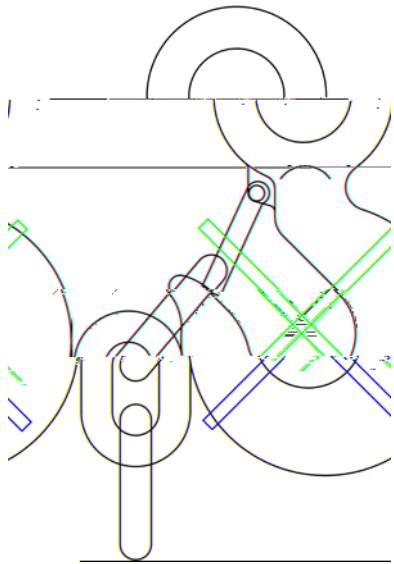
KLR-058 J HOOK

	IN						KG
			A	B	C	E	
KLR-058-8	8	2.45	19.5	32	162	146	1.5
KLR-058-15	15	2.45	19.5	32	318.2	157.3	2.0



Never exceed Working Load Limit

HOOKS



Never exceed Working Load Limit